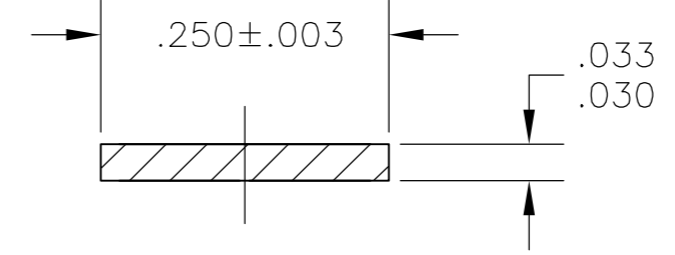
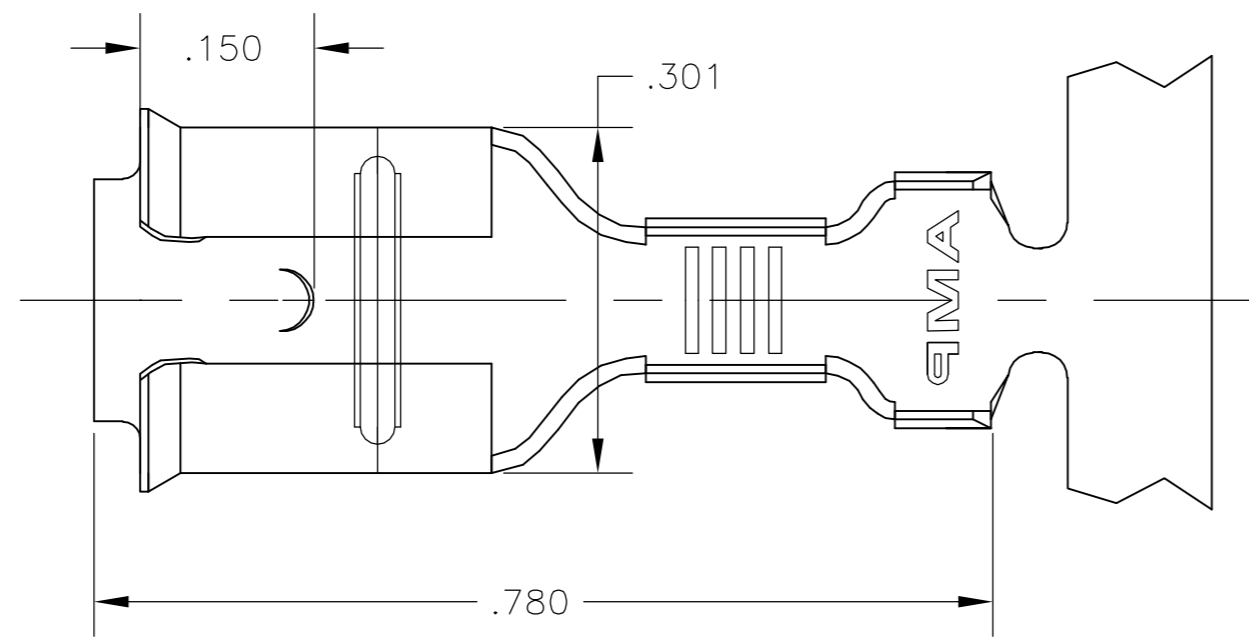


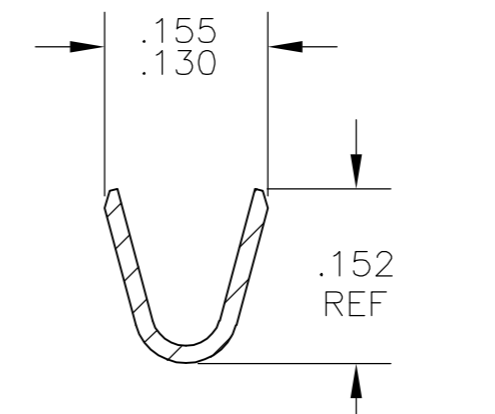
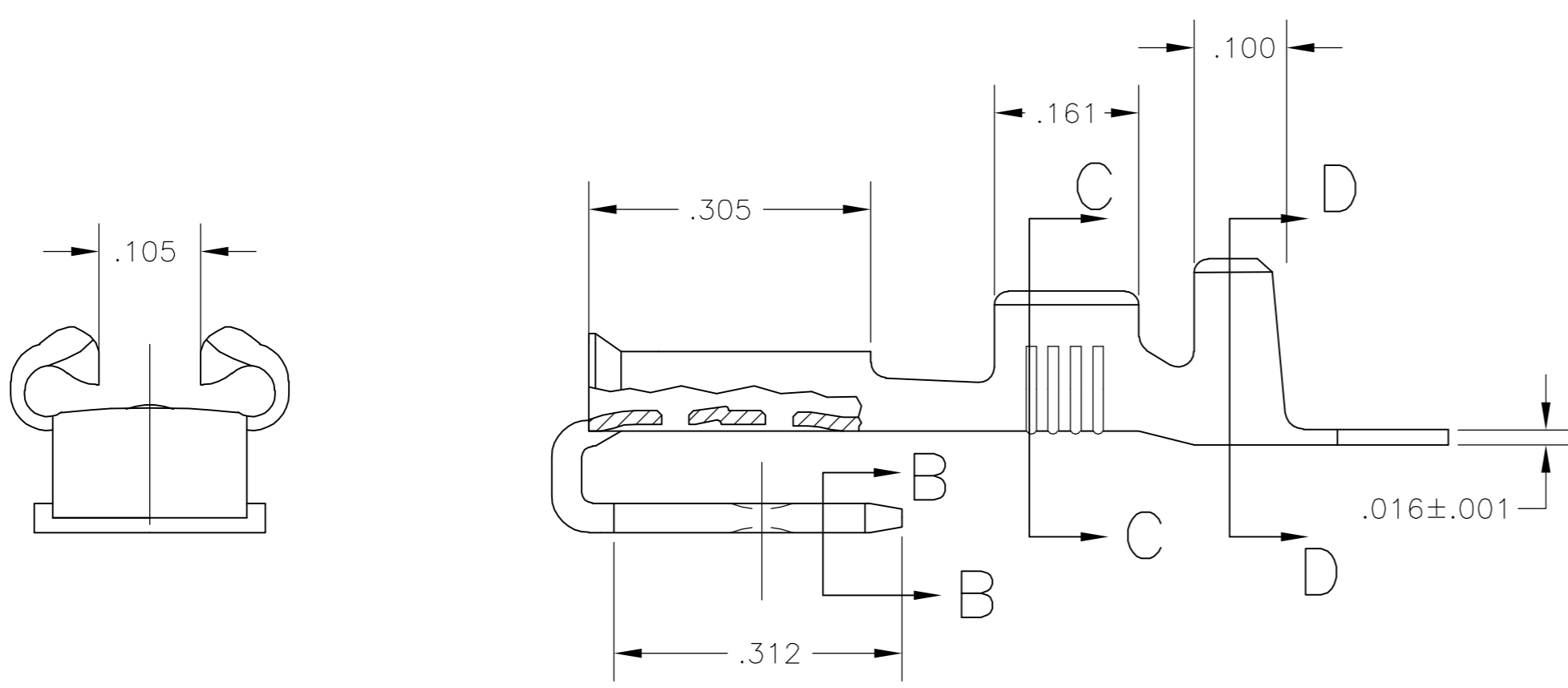
THIS DRAWING IS UNPUBLISHED. RELEASED FOR PUBLICATION
 © COPYRIGHT BY TYCO ELECTRONICS CORPORATION. ALL RIGHTS RESERVED.

LOC		DIST		REVISIONS			
P	LTR	DESCRIPTION	DATE	DWN	APVD		
AF	50	G	REV PER ECR 06-001331	21JUL06	JR	PD	

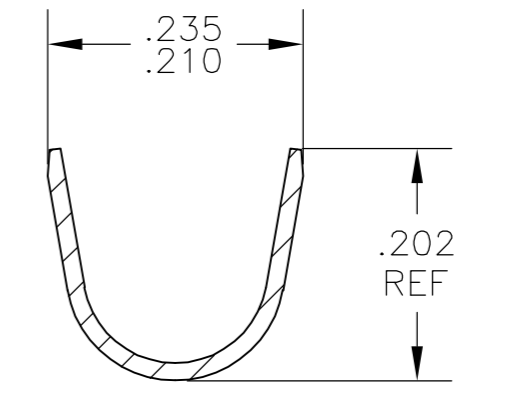


SECTION B-B

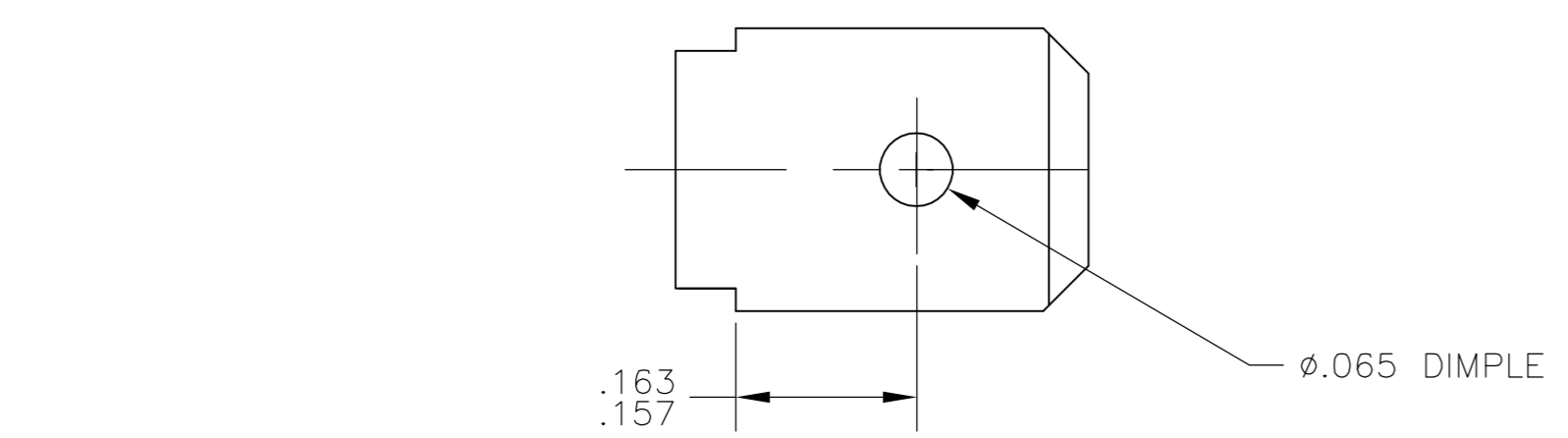
- 1 CONTINUOUS STRIP ON REELS
- 2 MATING TAB THK IS .032±.001.
- 3 WIRE SIZE IS #18-#14 AWG
CRIMP WIDTH IS .110, F TYPE
- 4 INSULATION RANGE IS .120-.170
DIA.
CRIMP WIDTH IS .180, F TYPE



SECTION C-C



SECTION D-D



H04 PREMILLED BRASS / TIN PLATE	62109-2
H04 PREMILLED BRASS / PLAIN	62109-1
MATL. / FINISH	PART NO.

THIS DRAWING IS A CONTROLLED DOCUMENT.		DWN	JR RUTH	29JUL02	 Tyco Electronics Corporation Harrisburg, PA 17105-3608																				
DIMENSIONS: INCHES		CHK	P DESANTIS	29JUL02																					
TOLERANCES UNLESS OTHERWISE SPECIFIED:		APVD	P DESANTIS	29JUL02																					
<table border="1"> <tr><td>0 PLC</td><td>±</td><td>-</td></tr> <tr><td>1 PLC</td><td>±</td><td>-</td></tr> <tr><td>2 PLC</td><td>±</td><td>-</td></tr> <tr><td>3 PLC</td><td>±</td><td>.015</td></tr> <tr><td>4 PLC</td><td>±</td><td>-</td></tr> <tr><td>ANGLES</td><td>±</td><td>-</td></tr> <tr><td>FINISH</td><td></td><td></td></tr> </table>		0 PLC	±	-		1 PLC	±	-	2 PLC	±	-	3 PLC	±	.015	4 PLC	±	-	ANGLES	±	-	FINISH			PRODUCT SPEC	
0 PLC	±	-																							
1 PLC	±	-																							
2 PLC	±	-																							
3 PLC	±	.015																							
4 PLC	±	-																							
ANGLES	±	-																							
FINISH																									
MATERIAL	SEE TABLE	APPLICATION SPEC	114-2082	WEIGHT	-																				
		CUSTOMER DRAWING	SCALE	6:1	SHEET	1 of 1																			
			SIZE	A2	CAGE CODE	00779																			
			DRAWING NO	C=62109		RESTRICTED TO																			
						REV																			
						G																			

62109

A